

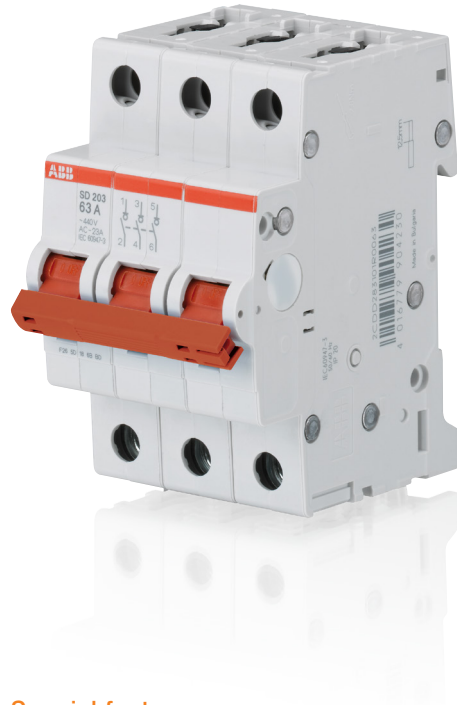
# System pro M compact® Выключатели нагрузки SD 200



2CDC051001S0013

Новая серия выключателей нагрузки SD 200 расширяет ассортимент оборудования System pro M compact®, доступна в исполнениях от 1 до 4 полюсов на номинальные токи от 16 до 63 А и соответствует IEC/EN 60947-3 (ГОСТ Р 50030.3-2012)

Рубильники SD200 выполнены в современном дизайне и отлично сочетаются с аппаратами версии System pro M compact, маркировка выполнена лазерным нанесением. Благодаря наличию индикатора “Real CPI”, можно легко определить реальное положение контактов аппарата. Значительное преимущество новой версии – полная совместимость со всеми аксессуарами для автоматических выключателей S200



2CDC051003S0013

## Special features

- Isolating characteristics acc. to IEC/EN 60947-3
- Clear contact position indication in red/green (“Real CPI”)
- Highest performance at an increased voltage level: 25 kA conditional short-circuit current at  $U_n = 253/440$  V AC acc. to IEC/EN 60947-3
- Protection type IP20 = finger safe
- 35 mm<sup>2</sup> cylinder lift terminal with 2 terminal openings for two wires or one wire and one busbar for cross wiring
- Bottom fixed auxiliary contact for a space saving installation or upgrade of existing assemblies without additional mounting width
- Consistent design to other System pro M DIN rail products
- Cross wiring with MCBs or RCDs using busbars PS
- Durable device identification due to laser labeling
- Captive screws with recessed head
- Compatibility with all MCB accessories
- Approved acc. to IEC/EN 60947-3 for international use

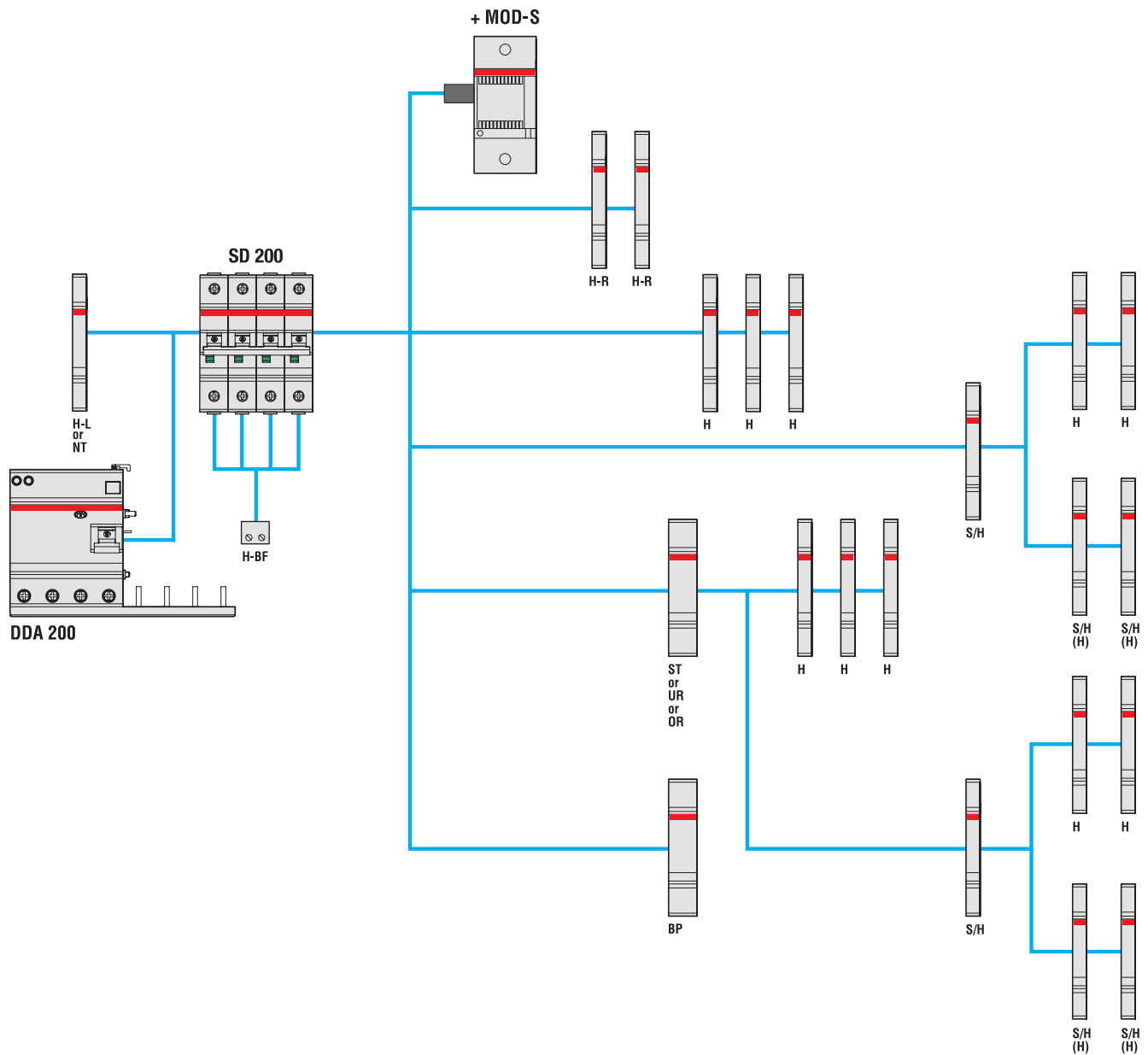
# Switch disconnecter SD 200

## Technical data

<b>Electrical data</b>	
Standards	IEC/EN 60947-3
Poles	1P, 2P, 3P, 4P
Rated current $I_n$	16 A, 25 A, 32 A, 40 A, 50 A, 63 A
Utilization category	AC-23A, DC-21A
Rated voltage $U_n$	1P: 253 V AC; 60 V DC 2P: 440 V AC, 125 V DC 3...4P: 440 V AC
Insulation voltage U	440 V AC
Max. power frequency recovery voltage $U_{max}$	1P: 266 V AC, 63 V DC 2P: 462 V AC, 131 V DC 3...4P: 462 V AC
Min. operating voltage $U_{bmin}$	12 V AC
Rated frequency f	50/60 Hz, DC
Suitable for isolation	Yes
Rated conditional short-circuit current	25 kA in series with NH 00 $\leq$ 63 A gG
Overvoltage category	III
Pollution degree	3
Rated impulse withstand voltage $U_{imp}$ (1.2/50 $\mu$ s)	4 kV (test voltage 6.2 kV at sea level; 5 kV at 2,000 m)
Dielectric test voltage	2 kV (50/60 Hz, 1 min.)
<b>Mechanical data</b>	
Housing	Insulation group I, RAL 7035
Toggle	Insulation group II, red, sealable
Contact position indication	Marking on toggle, I ON / 0 OFF Real CPI (green OFF/red ON)
Protection degree acc. to EN 60529	IP20 / IP40 in enclosure with cover
Electrical endurance	$I_n < 32$ A: 20,000 ops. (AC), 1,500 ops. (DC) $I_n \geq 32$ A: 10,000 ops. (AC), 1,500 ops. (DC)
Mechanical endurance	20,000 ops.
Shock resistance acc. to IEC/EN 60068-2-27	25 g, 2 shocks, 13 ms
Vibration resistance acc. to IEC/EN 60068-2-6	5g, 20 cycles at 5...150...5 Hz with load 0.8 I
Environmental conditions (damp heat cyclic) acc. to EC/EN 60068-2-30	28 cycles with 55°C/90-96% and 25°C/95-100% [°C/RH]
Ambient temperature	-25 ... +55 °C
Storage temperature	-40 ... +70 °C
<b>Installation</b>	
Terminal	Cylinder lift terminal
Safety wire guard	Yes
Two terminal openings for conductor and busbar	Yes
Cross-section of conductors	35 mm <sup>2</sup>
Cross-section of busbars	10 mm <sup>2</sup>
Torque	2.8 Nm
Screwdriver	No. 2 Pozidrive
Mounting	On DIN rail 35 mm acc. to EN 60715 by fast clip
Mounting position	Optional
Removal without disassembling of the busbar	Yes
Supply	Optional
<b>Dimensions and weight</b>	
Mounting dimensions acc. to DIN 43880	Mounting dimension 1
Pole dimensions (H x D x W)	88 x 68 x 17.5 mm
Pole weight	approx. 85 g
<b>Combination with auxiliary elements</b>	
Auxiliary contact	Yes
Signal/auxiliary contact	Yes
Shunt trip	Yes
Undervoltage release	Yes
Motor operating device	Yes
Padlock	Yes
<b>Approvals</b>	
	CE and RoHS conform Approvals: VDE

# Switch disconnecter SD 200

## Accessories



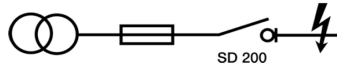
H	Auxiliary contact (changeover contact)	H-L	Auxiliary contact to be mounted on the left
S/H	Signal/Auxiliary contact	H-R	Auxiliary contact to be mounted on the right (2 contacts)
S/H (H)	Signal/Auxiliary contact used as auxiliary contact	H-BF	Auxiliary contact, bottom fitting (1 per pole)
ST	Shunt trip	BP	Mechanical tripping device
UR	Undervoltage release	NT	Neutral disconnecter
OR	Overvoltage release		
MOD-S*	Motor operating device		

\* In case of using SD 200 coupled with DDA 200, MOD-S does not operate in case of earth-leakage fault

# Switch disconnecter SD 200

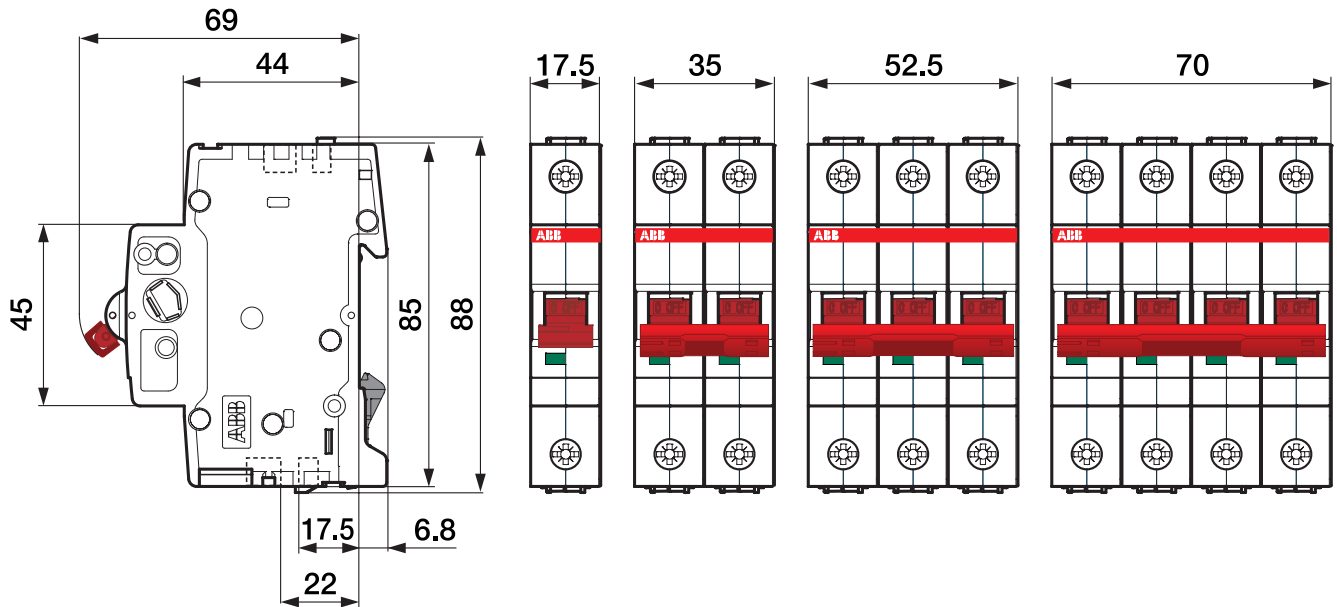
## Conditional short-circuit resistance, dimensional drawing and wiring diagrams

Conditional short-circuit resistance (in kA) in combination with back-up protection



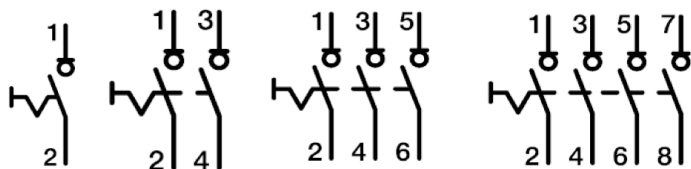
		Supply side: NH 00 – gG					
Load side:	$I_e$ (A)	16	25	32	40	50	63
SD 200	16	25					
	25	25	25				
	32	25	25	25			
	40	25	25	25	25		
	50	25	25	25	25	25	
	63	25	25	25	25	25	25

### Dimensional drawing



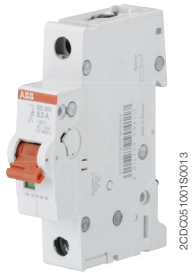
2CDC 052 005 F0012

### Wiring diagrams



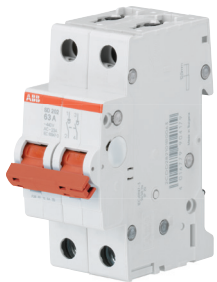
# Switch disconnecter SD 200

## Ordering data



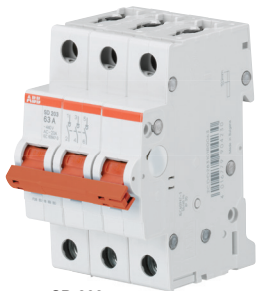
SD 201

2CDC05100150013



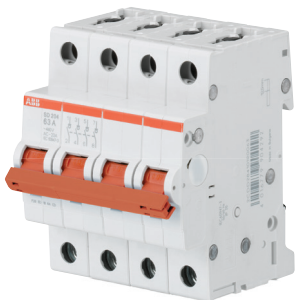
SD 202

2CDC05100250013



SD 203

2CDC05100350013



SD 204

2CDC05100450013

Rated current: 16 A							
Poles	Rated voltage V AC	Power loss W	Bbn 4016779 EAN	Type	Order code	Weight 1 piece kg	Pack unit pc.
1	253		904063	SD201/16	2CDD281101R0016	0.085	10
2	440		904124	SD202/16	2CDD282101R0016	0.170	5
3	440		904186	SD203/16	2CDD283101R0016	0.255	1
4	440		904247	SD204/16	2CDD284101R0016	0.340	1

Rated current: 25 A							
Poles	Rated voltage V AC	Power loss W	Bbn 4016779 EAN	Type	Order code	Weight 1 piece kg	Pack unit pc.
1	253		904070	SD201/25	2CDD281101R0025	0.085	10
2	440		904131	SD202/25	2CDD282101R0025	0.170	5
3	440		904193	SD203/25	2CDD283101R0025	0.255	1
4	440		904254	SD204/25	2CDD284101R0025	0.340	1

Rated current: 32 A							
Poles	Rated voltage V AC	Power loss W	Bbn 4016779 EAN	Type	Order code	Weight 1 piece kg	Pack unit pc.
1	253		904087	SD201/32	2CDD281101R0032	0.085	10
2	440		904148	SD202/32	2CDD282101R0032	0.170	5
3	440		904209	SD203/32	2CDD283101R0032	0.255	1
4	440		904261	SD204/32	2CDD284101R0032	0.340	1

Rated current: 40 A							
Poles	Rated voltage V AC	Power loss W	Bbn 4016779 EAN	Type	Order code	Weight 1 piece kg	Pack unit pc.
1	253		904094	SD201/40	2CDD281101R0040	0.085	10
2	440		904155	SD202/40	2CDD282101R0040	0.170	5
3	440		904216	SD203/40	2CDD283101R0040	0.255	1
4	440		904278	SD204/40	2CDD284101R0040	0.340	1

Rated current: 50 A							
Poles	Rated voltage V AC	Power loss W	Bbn 4016779 EAN	Type	Order code	Weight 1 piece kg	Pack unit pc.
1	253		904100	SD201/50	2CDD281101R0050	0.085	10
2	440		904162	SD202/50	2CDD282101R0050	0.170	5
3	440		904223	SD203/50	2CDD283101R0050	0.255	1
4	440		904285	SD204/50	2CDD284101R0050	0.340	1

Rated current: 63 A							
Poles	Rated voltage V AC	Power loss W	Bbn 4016779 EAN	Type	Order code	Weight 1 piece kg	Pack unit pc.
1	253		904117	SD201/63	2CDD281101R0063	0.085	10
2	440		904179	SD202/63	2CDD282101R0063	0.170	5
3	440		904230	SD203/63	2CDD283101R0063	0.255	1
4	440		904292	SD204/63	2CDD284101R0063	0.340	1

# Contact us

## **ABB STOTZ-KONTAKT GmbH**

Eppelheimer Straße 82  
69123 Heidelberg, Germany  
Phone: +49 (0) 6221 7 01-0  
Fax: +49 (0) 6221 7 01-13 25  
E-Mail: [info.desto@de.abb.com](mailto:info.desto@de.abb.com)

You can find the address of your  
local sales organization on the  
ABB home page  
<http://www.abb.com/contacts>  
-> Low Voltage Products and Systems

## **Note:**

We reserve the right to make technical changes or modify the contents of this document without prior notice. With regard to purchase orders, the agreed particulars shall prevail. ABB AG does not accept any responsibility whatsoever for potential errors or possible lack of information in this document.

We reserve all rights in this document and in the subject matter and illustrations contained therein. Any reproduction, disclosure to third parties or utilization of its contents – in whole or in parts – is forbidden without prior written consent of ABB AG.

Copyright© 2013 ABB  
All rights reserved

Order number 2CDC 441 015 D0201 (05/13-pdf)